



BTS 80 BTS 75 V

J&P Hardware
Limited

Tel: ++44 (0)191 226 0476
Fax: ++44 (0)191 226 0491
Info@jphardware.co.uk

Floor Springs

Universal application, individual functions and assured quality

Whether standard, narrow or wide, whether LH, RH, or single or double action – dormakaba BTS 80 and BTS 75 V door springs are designed for all types of door.

A comprehensive program of accessories ensures that they can be used successfully with a wide variety of door constructions and floor coverings.

Thanks to a wide range of functions, which can be individually selected to suit different requirements, dormakaba BTS 80 and BTS 75 V floor springs offer maximum reliability and quality.

Certified to ISO 9001.

Benefits

For the trade

- Reduced stock requirements because of separate, interchangeable spindles.
- Slim product range offering all key functions.

For the installer

- Suitable for installation with LH or RH single and double action doors.
- Interchangeable spindles enable easy adaptation to structural conditions-even when retrofitted.

For the architect/specifier

- Concealed installation for maximum visual elegance.
- All essential functions provided.
- Proven, robust design capable of withstanding leaf weights of up to 300 kg (BTS 80).

For the user

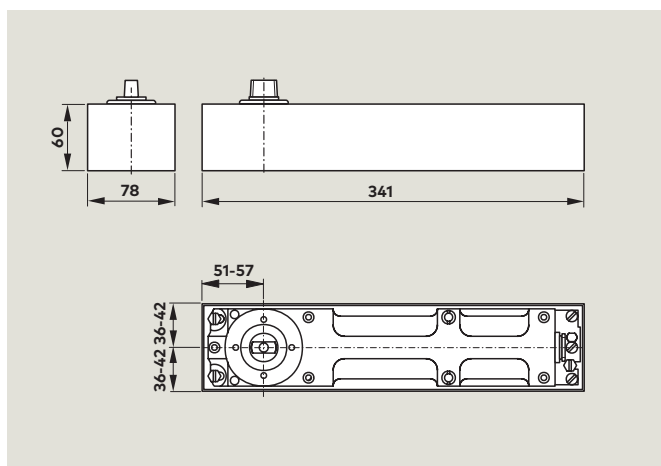
- Constant, temperature-independant closing cycle.
- Highly efficient mechanism gives maximum user convenience.

| Data and features | | BTS 80 | | BTS 75 V | |
|---|--------------|--------|---|----------|-----|
| Spring strength (EN) | | 3 | 4 | 6 | 1-4 |
| Spring strength adjustment | | - | - | - | ● |
| Standard and external doors ¹⁾ | ≤ 950 mm | ● | - | - | - |
| | ≤ 1100 mm | - | ● | - | ● |
| | ≤ 1400 mm | - | - | ● | - |
| Fire and smoke check doors | | - | - | - | ● |
| Max. leaf weight (kg) | | 300 | | 120 | |
| Non-handed, suitable for single and double action doors | | ● | | | ● |
| Closing speed adjustable by valve | 175° – 0° | ● | | | - |
| | 175° – 15° | - | | | ● |
| | 15° – 0° | - | | | ● |
| Backcheck, mechanical | | ● | | | ● |
| Delayed action adjustable by valve (selectable alternative to the hold-open feature) | | ● | | | - |
| Hold-open | Adjustable | ● | | | - |
| | Fixed 90° | - | | | ● |
| | Fixed 105° | - | | | ● |
| Coverplate secure to | cement box | - | | | - |
| | floor spring | ● | | | ● |
| Weight in kg | | 7,1 | | 3,0 | |
| Dimensions in mm | Length | 341 | | 285 | |
| | Width | 78 | | 82 | |
| | Height | 60 | | 50 | |
| Floor spring tested to EN 1154 | | ● | | | ● |
| CE-mark for building products (products with factory-fitted hold-open do not carry a CE mark) | | - | | | ● |

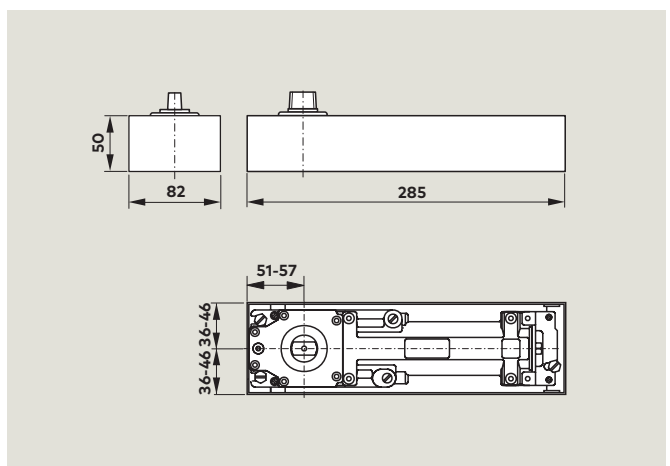
● yes – no

¹⁾ For particularly heavy doors and doors which have to close against wind resistance, we recommend the dormakaba BTS80.

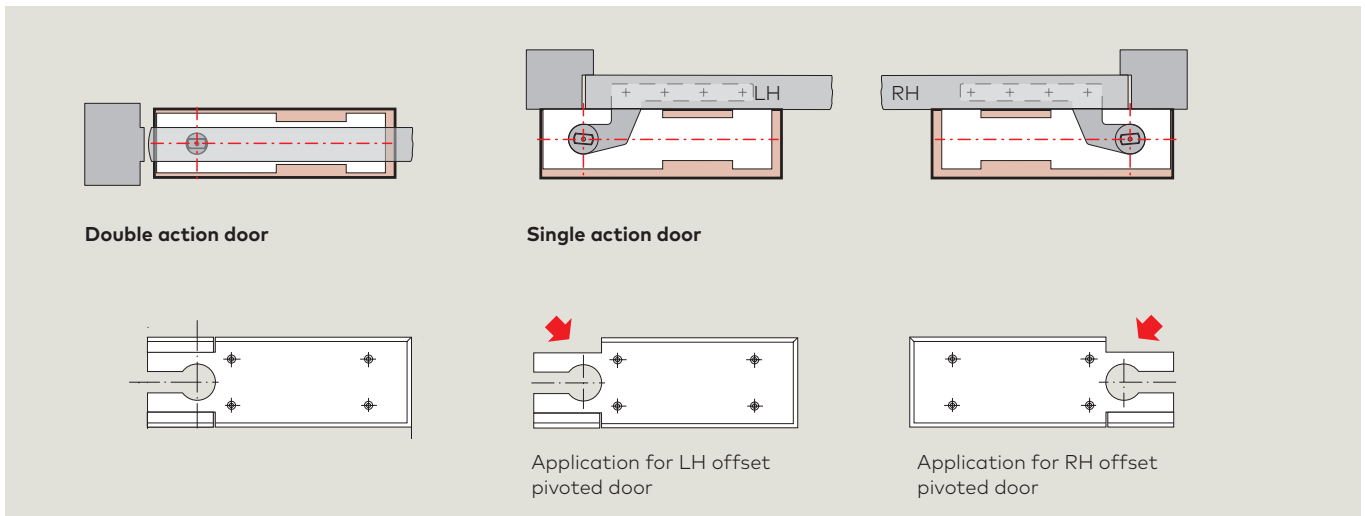
BTS 80



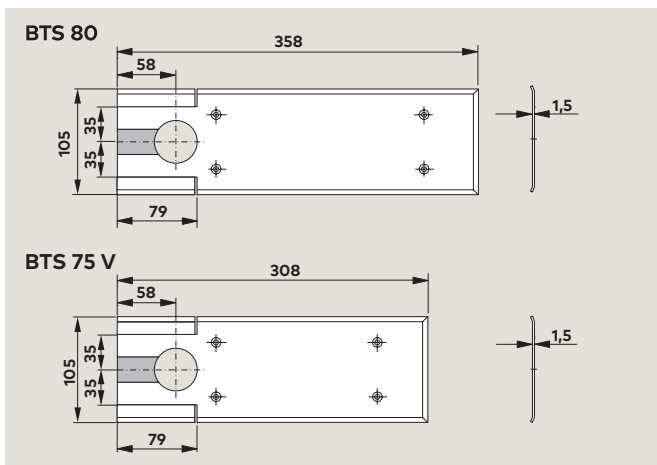
BTS 75 V



Application and Installation

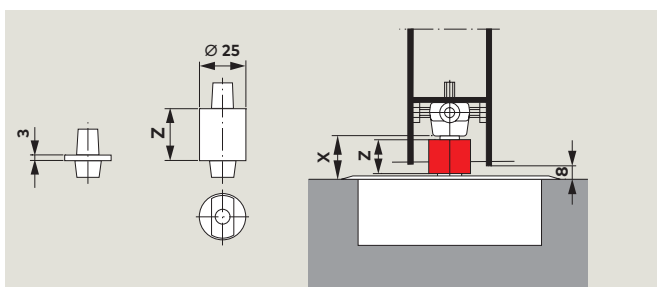


Accessories



Universal cover plate

Adaptable to right or left hand single action applications by simply snapping off the appropriate pre-blanked corner sections. For double action doors, the corner sections remain in place. The universal cover plate is available in stainless steel or satin brass (material thickness 1.5 mm).



Calculating the necessary length of spindle extension:
 Extension = X - Floor clearance (normally 8 mm)
 Collar height Z of the extended spindle inserts = Spindle extension length + 3 mm (collar height of the standard spindle insert)

Spindles












A range of interchangeable spindles is available to provide greater floor clearance if required (e.g. doors with thresholds, carpeted floors etc).
 Special spindles available on application: e.g. with flat face profile and 3° offset or square section; spindles for non-dormakaba-specific accessories are also available.

dormakaba 2300 sealing compound

For filling cavities between the floor spring body and the cement box to protect against moisture penetration

Information about other accessories such as **door straps and top centres** can be found in the "Accessories for dormakaba BTS Floor Springs" leaflet

Standard equipment and accessories

| | | | | | | | | | | | | | | | | |
|---|---|---|--|--|--|--|--|--|--|--|--|--|--|--|--|---|
| BTS 80 floor spring  | BTS 75 V floor spring  | Spindles         | | | | | | | | | | | | | | 2300 sealing compound  0,5 kg |
| | | Standard 5 7,5 10 12,5 15 20 25 28 30 35 40 45 50 | 45200401 45200402 45200403 45200404 45200419 45200405 45200406 45200407 45200414 45200408 45200409 45200410 45200411 45200412 45090086 | | | | | | | | | | | | | |


Including cement box and standard spindle

| | | | | | | | | | | | | | | | |
|------------------|---|---|---|---|---|---|---|---|---|---|---|---|---|---|---|
| EN 3 80120000 | EN 1-4 61701000 | ● | △ | △ | △ | △ | △ | △ | △ | △ | △ | △ | △ | △ | △ |
| EN 4 80110000 | EN 1-4 with hold-open at 90° 61701200 | ● | △ | △ | △ | △ | △ | △ | △ | △ | △ | △ | △ | △ | △ |
| EN 6 80130000 | EN 1-4 with hold open at 105° 61701300 | ● | △ | △ | △ | △ | △ | △ | △ | △ | △ | △ | △ | △ | △ |

Including cement box without spindle

| | | | | | | | | | | | | | | | |
|------------------|---|---|---|---|---|---|---|---|---|---|---|---|---|---|---|
| EN 3 80120001 | EN 1-4 61701001 | △ | △ | △ | △ | △ | △ | △ | △ | △ | △ | △ | △ | △ | △ |
| EN 4 80110001 | EN 1-4 with hold-open at 90° 61701201 | △ | △ | △ | △ | △ | △ | △ | △ | △ | △ | △ | △ | △ | △ |
| EN 6 80130001 | EN 1-4 with hold-open at 105° 61701301 | △ | △ | △ | △ | △ | △ | △ | △ | △ | △ | △ | △ | △ | △ |

Universal cover plate

| | | | | |
|----------|----------|-----------------|---|---|
| 46700000 | 46700059 | Stainless steel |  | △ |
| 46700100 | 46700159 | Satin brass | | △ |

● Floor spring with spindle △ Accessories

Specification Text

BTS 80

Universal non-handed floor spring conforming to DIN EN 1154 for single and double action doors up to max.300 kg leaf weight.

With adjustable closing speed and closing action from approx. 175°, with hydraulically fully controlled closing cycle and backcheck. With integral pressure compensation feature for temperature-independent hold-open between 75° and 175° (removable). With adjustable hold-open start point and delayed action (end of delayed action range adjustable between 75° and 105°). Including cement box.

Size

- EN 3
- EN 4
- EN 6

Accessories

- Spindle
 - standard
 - ... mm extension
 - special design...
- Universal cover plate (1.5 mm thick)
 - stainless steel
 - satin brass
- Sealing compound

Make:

dormakaba BTS 80

BTS 75 V

Universal floor spring conforming to DIN EN 1154, non-handed unit suitable for LH and RH single and double action doors up to 120 kg leaf weight, with adjustable spring strength (size EN 1 – 4) and closing speed, with closing action operational from approx. 175°. Featuring hydraulically fully controlled closing cycle and backcheck. Including cement box.

Models

- With spindle
- Without spindle
- Fixed hold-open at 90°
- Fixed hold-open at 105°

Accessories

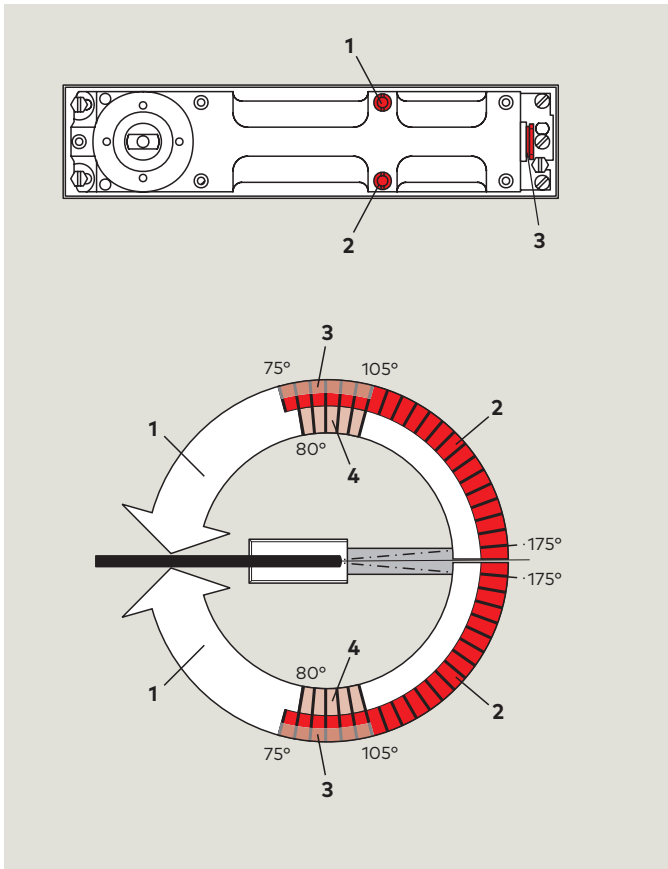
- Spindle
 - standard
 - ... mm extension
 - special design...
- Universal cover plate (1.5 mm thick)
 - stainless steel
 - satin brass
- Sealing compound

Make :

dormakaba BTS 75 V

Standard and optional functions of the BTS 80

BTS 80



- 1 Adjustable closing speed
- 2 Hold-open range or delayed action range
- 3 Adjustment range – point at which hold-open begins, or end of delayed action range (approx. 75° to 105°).
- 4 Mechanical backcheck (from approx. 80°)

Hydraulic hold-open

The integrated hold-open function allows the door to be held open at any angle between 75° and 175°. The angle at which the holdopen function begins can be adjusted in the range of 75° to 105°.

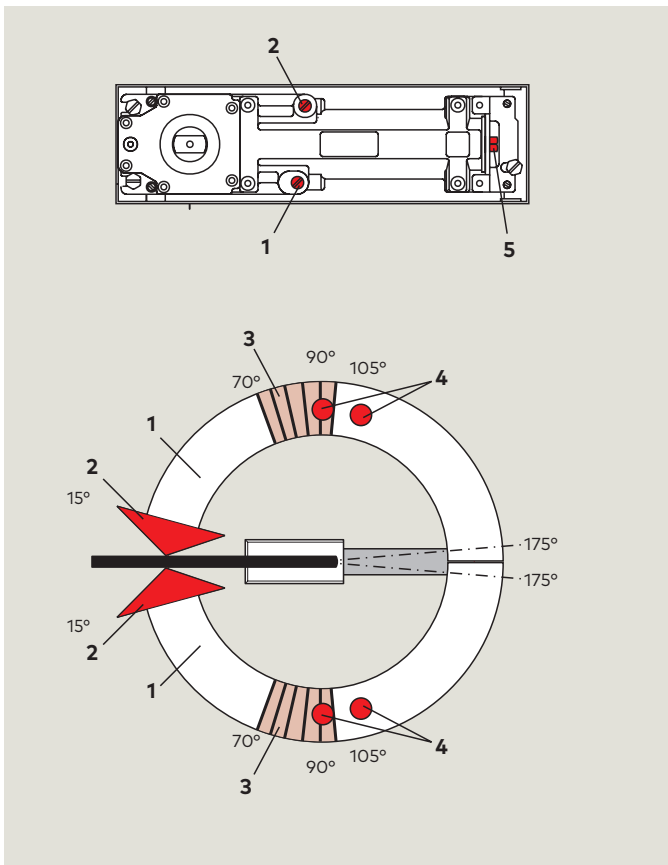
Backcheck

The integrated mechanical backcheck function protects the wall and door from damage caused by excessively vigorous opening.

Delayed action

The delayed action function slows the door closing speed, thereby allowing disabled persons, mothers with pushchairs, staff with trolleys or hospital gurneys etc. to pass through the door without problem.

BTS 75 V



- 1 Adjustable closing speed in the range 175° – 15°
- 2 Adjustable closing speed in the range 15° – 0°
- 3 Mechanical backcheck (from approx. 70°)
- 4 Fixed hold-open at 90° or 105° (option).
- 5 Adjustable spring strength (EN 1–4).

Closing speed

With two independently adjustable closing ranges (175° – 15° and 15° – 0°) the dormakaba BTS 75 V is ideally adaptable to different structural conditions.

Backcheck

The integrated mechanical backcheck function protects the wall and door from damage caused by excessively vigorous opening.

Fixed hold-open (option)

With the fixed hold-open function the door can be held open at an angle of 90° or 105°, depending on model.
Not suitable for use on Fire doors.

J&P HARDWARE Limited

Tel: ++44 (0)191 226 0476
Fax: ++44 (0)191 226 0491
Info@jphardware.co.uk



www.dormakaba.co.uk

WN 052 420 51532, 10/10, BTS 80/75 V, GB, X, DD. 01/18
Subject to change without notice

dormakaba UK & Ireland

E: info.gb@dormakaba.com

Wilbury Way, Hitchin
Hertfordshire
SG4 0AB
T: +44(0)1462 477600
F: +44(0)1462 477601

Lower Moor Way
Tiverton, Devon
EX16 6SS
T: +44(0)870 000 5625
F: +44(0)870 000 5397